

PRODUCT SHEET

Info Board Design Standard A1 Mitred Corners 25 mm

IBA1G25

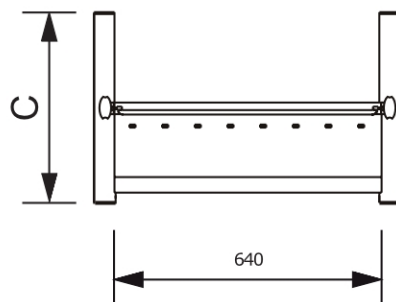
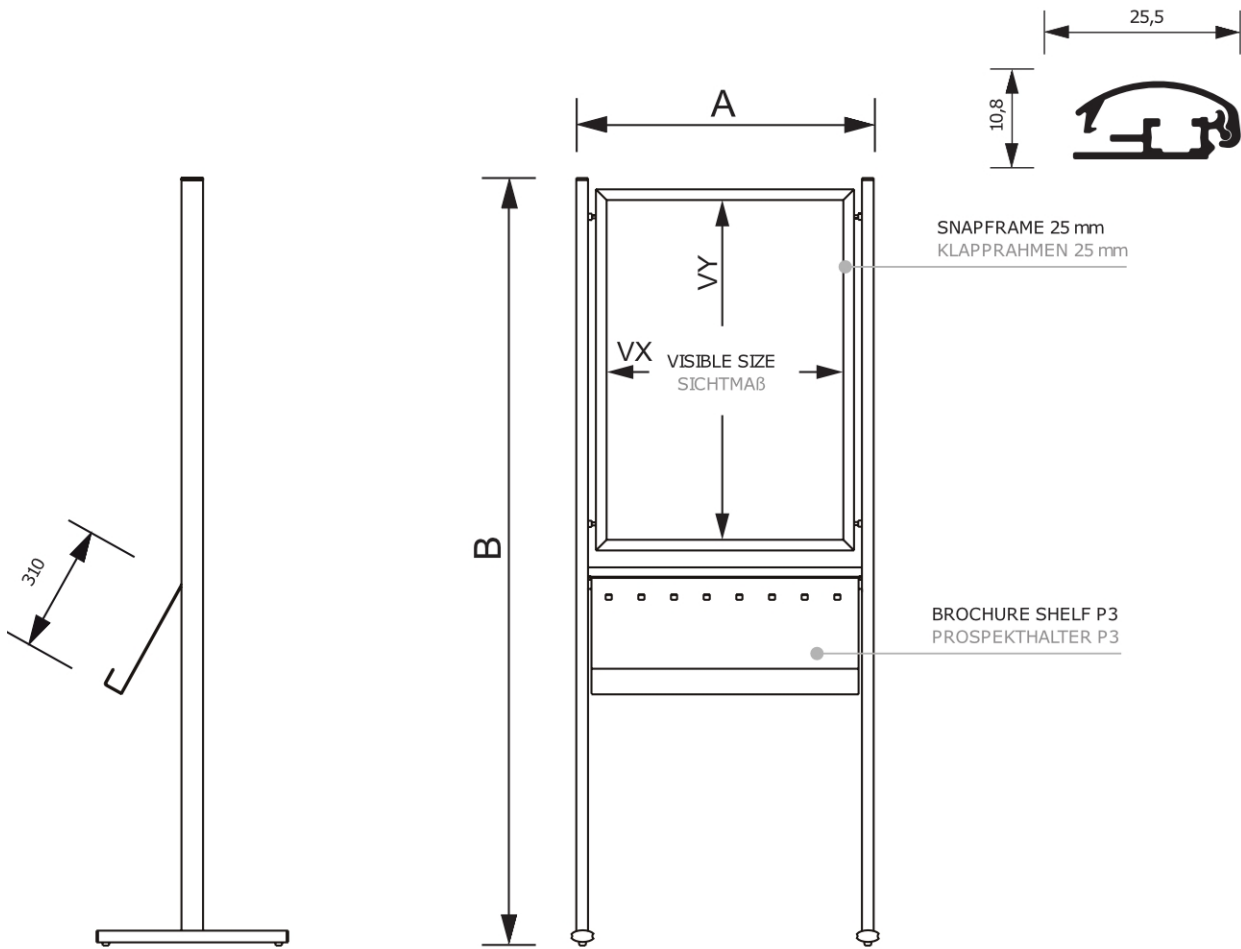


- Double sided poster frame
- Extremely stable
- Option to add brochure shelf

PRODUCT SHEET

Info Board Design Standard A1 Mitred Corners 25 mm

IBA1G25



ACCESSORIES
ZUBEHÖR



(P3)
STEEL BROCHURE SHELF
PROSPEKTLAGEN

PRODUCT SHEET

Info Board Design Standard A1 Mitred Corners 25 mm

IBA1G25

GENERAL INFO

SKU	Sizes (mm) (A x B x C)	Format (mm)	Visible size (mm) (VXxVY)	Hole spacing (mm) (XxY)
IBA1G25	715 x 1850 x 500	A1 (594 x 841 mm)	575 x 822 mm	-

Orientation	Weight (kg)
Vertical	6,44

PACKAGING INFORMATION

Packaging unit 1 (mm)	Packaging unit 2 (mm)	Packaging unit 3 (mm)
1840 x 790 x 80	-	-

Palette number of pieces	Palette weight (kg)	Palette type
15	208	EUR

ADDITIONAL INFORMATION

Product certifications	EAN
No	8595578309263