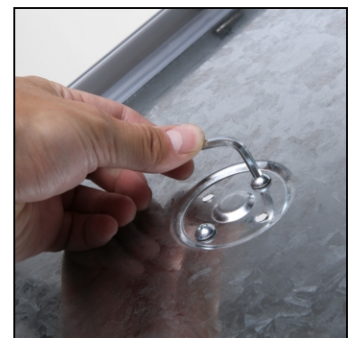


# PRODUCT SHEET

## Menu Board Design Standard A4 Mitred Corners 25 mm

MBA4G25

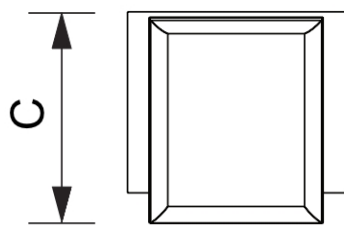
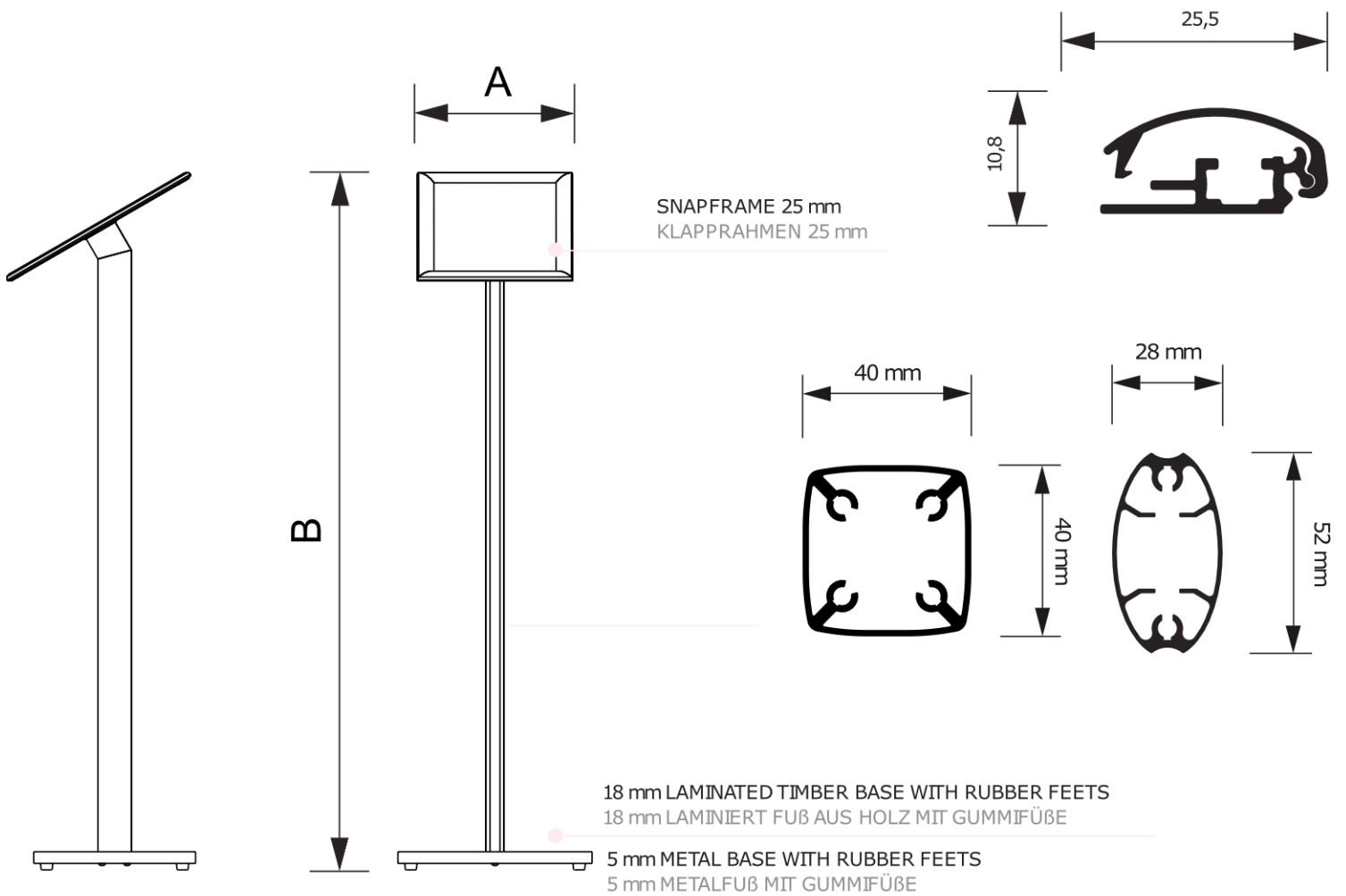


- Angled snap frame with mitred or rondo corners
- Vertical and horizontal use possible
- MFC base with 4 rubber feet for extra stability

# PRODUCT SHEET

## Menu Board Design Standard A4 Mitred Corners 25 mm

MBA4G25



# PRODUCT SHEET

## Menu Board Design Standard A4 Mitred Corners 25 mm

MBA4G25

### GENERAL INFO

SKU	Sizes (mm) (A x B x C)	Format (mm)	Visible size (mm) (VXxVY)	Hole spacing (mm) (XxY)
MBA4G25	300 x 1080 x 292	A4 (210 x 297 mm)	190 x 277 mm	-

Orientation	Weight (kg)
Horizontal	2,77

### ELECTRICAL INFORMATION

Illumination	Lighting colour (K)	Luminosity (cd)	Light intensity (lx)	Wattage (W)
No	-	-	-	-

### PACKAGING INFORMATION

Packaging unit 1 (mm)	Packaging unit 2 (mm)	Packaging unit 3 (mm)
1000 x 355 x 45	-	-

Palette number of pieces	Palette weight (kg)	Palette type
92	340	EUR

### ADDITIONAL INFORMATION

Product certifications	EAN
No	8595578308679