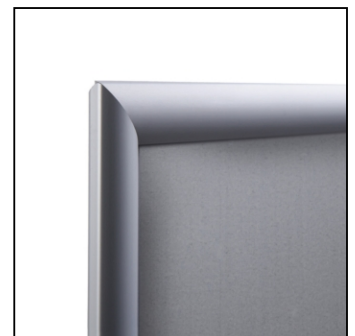
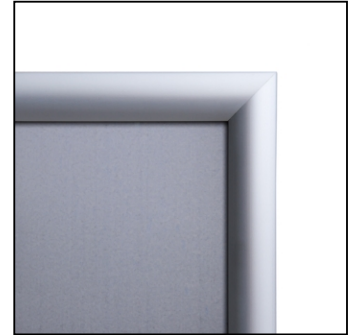


PRODUCT SHEET

Snap Frame Standard A3 Mitred Corners 25 mm B1 Fire Rated

KRA3G25B1

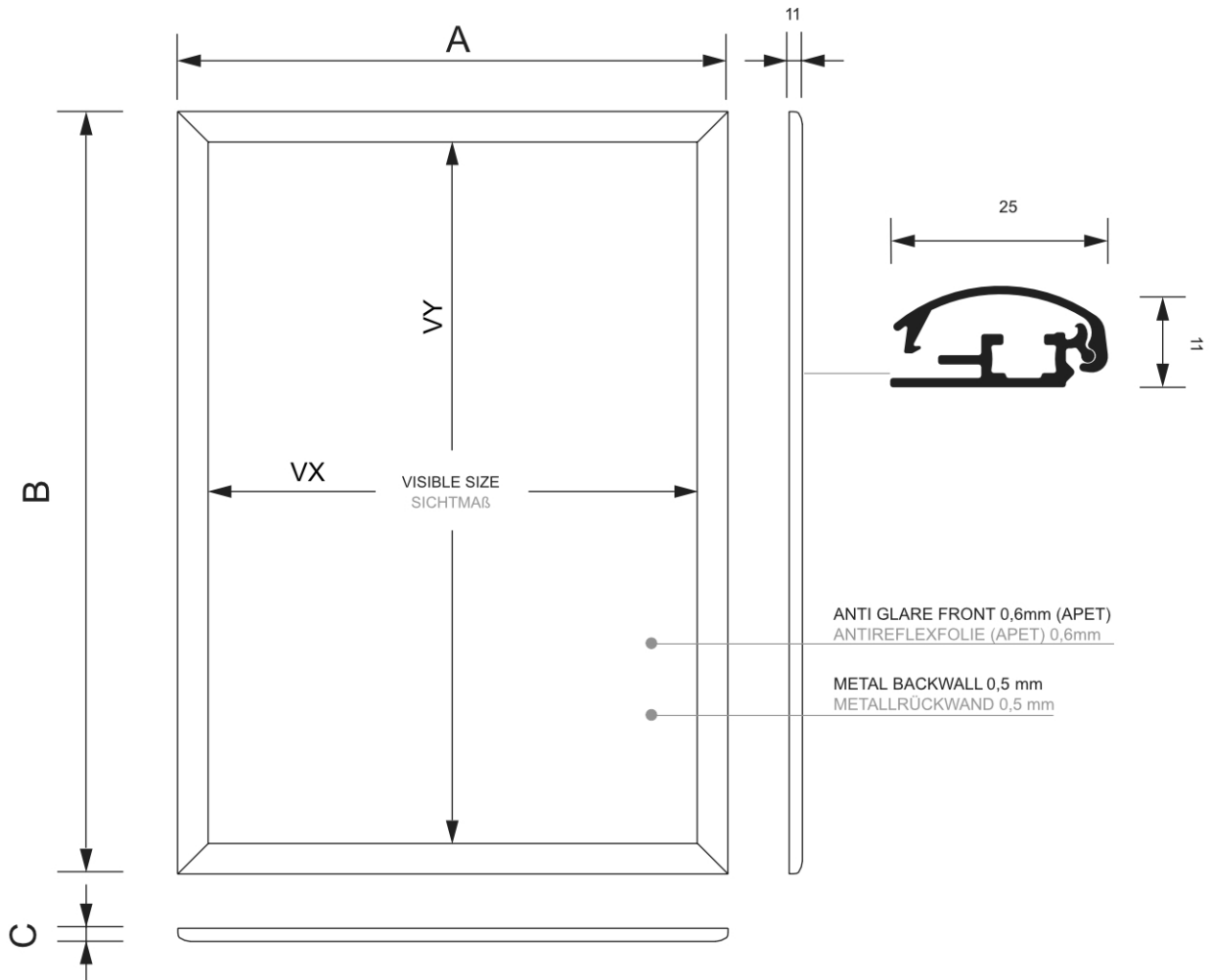


- Snap frame A3 silver anodised profile
- 25 mm standard frame with mitred corners
- B1 certificate thanks to fire resistant metal backwall and poster protection foil

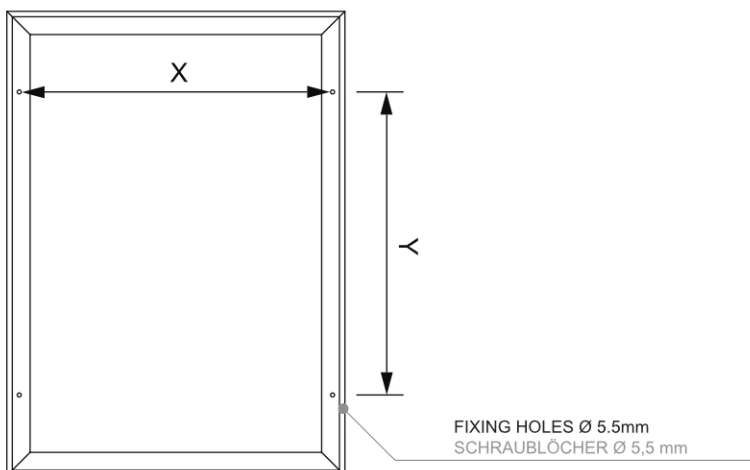
PRODUCT SHEET

Snap Frame Standard A3 Mitred Corners 25 mm B1 Fire Rated

KRA3G25B1



BACKVIEW RÜCKANSICHT



ACCESSORIES ZUBEHÖR



(KRHOOKS)
HOOKS
AUFHÄNGEÖSEN



(HSKR)
HANGING SET
ABHÄNGESET

PRODUCT SHEET

Snap Frame Standard A3 Mitred Corners 25 mm B1 Fire Rated

KRA3G25B1

GENERAL INFO

SKU	Sizes (mm) (A x B x C)	Format (mm)	Visible size (mm) (VXxVY)	Hole spacing (mm) (XxY)
KRA3G25B1	328 x 451 x 11	A3 (297 x 420 mm)	278 x 401 mm	308 x 242 mm

Orientation	Weight (kg)
Vertical	1,12

PACKAGING INFORMATION

Packaging unit 1 (mm)	Packaging unit 2 (mm)	Packaging unit 3 (mm)
460 x 337 x 20	-	-

Palette number of pieces	Palette weight (kg)	Palette type
278	427	EUR

ADDITIONAL INFORMATION

Product certifications	EAN
DIN4102B1	8595578357424

SIZE GUIDE

Snap Frame Standard A3 Mitred Corners 25 mm B1 Fire Rated

KRA3G25B1

