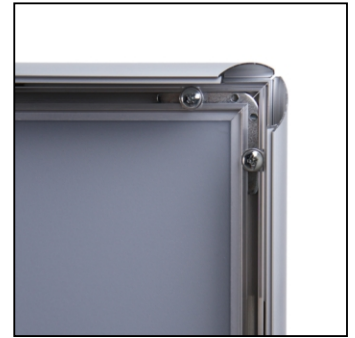
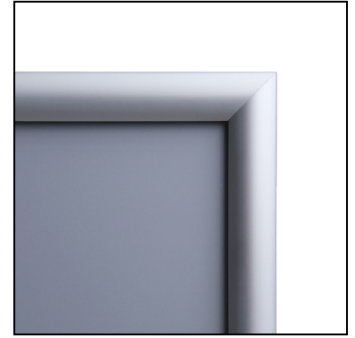


PRODUCT SHEET

Snap Frame Standard A4 Mitred Corners 25 mm

KRA4G25

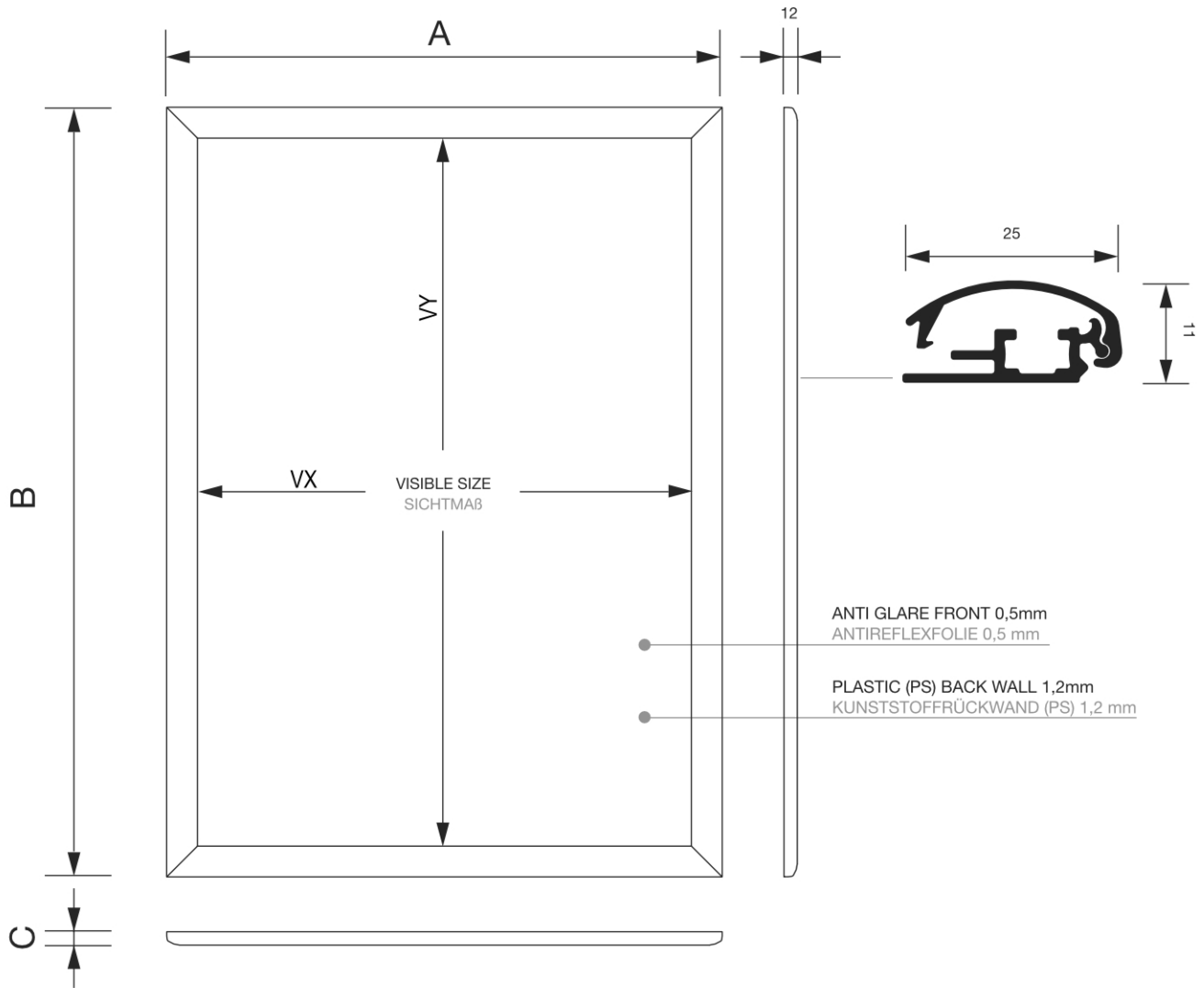


- Snap frame A4 silver anodised profile
- 25 mm standard frame with mitred corners
- Antiglare UV-resistant posterfoil

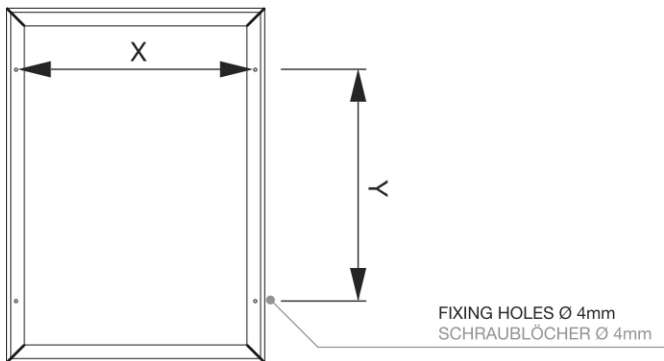
PRODUCT SHEET

Snap Frame Standard A4 Mitred Corners 25 mm

KRA4G25



BACK VIEW RÜCKANSICHT



ACCESSORIES ZUBEHÖR



(SOSSET)
SET OF SCREWS
SCHRAUBENSET

(KRHOOK)
HANGING HOOKS
HAKEN ZUM ABHÄNGEN



(HSKR)
HANGING SET
HÄNGESET

PRODUCT SHEET

Snap Frame Standard A4 Mitred Corners 25 mm

KRA4G25

GENERAL INFO

SKU	Sizes (mm) (A x B x C)	Format (mm)	Visible size (mm) (VXxVY)	Hole spacing (mm) (XxY)
KRA4G25	241 x 328 x 11	A4 (210 x 297 mm)	191 x 278 mm	221 x 119 mm

Orientation	Weight (kg)
Vertical	0,45

PACKAGING INFORMATION

Packaging unit 1 (mm)	Packaging unit 2 (mm)	Packaging unit 3 (mm)
337 x 250 x 20	-	-

Palette number of pieces	Palette weight (kg)	Palette type
800	496	EUR

ADDITIONAL INFORMATION

Product certifications	EAN
No	8595578300673

SIZE GUIDE

Snap Frame Standard A4 Mitred Corners 25 mm

KRA4G25

