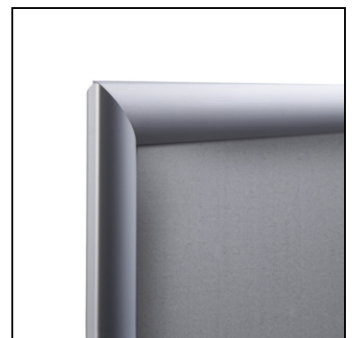
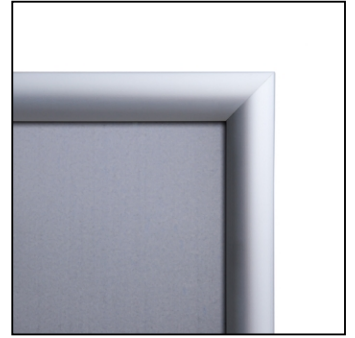


PRODUCT SHEET

Snap Frame Standard A4 Mitred Corners 25 mm B1 Fire Rated

KRA4G25B1

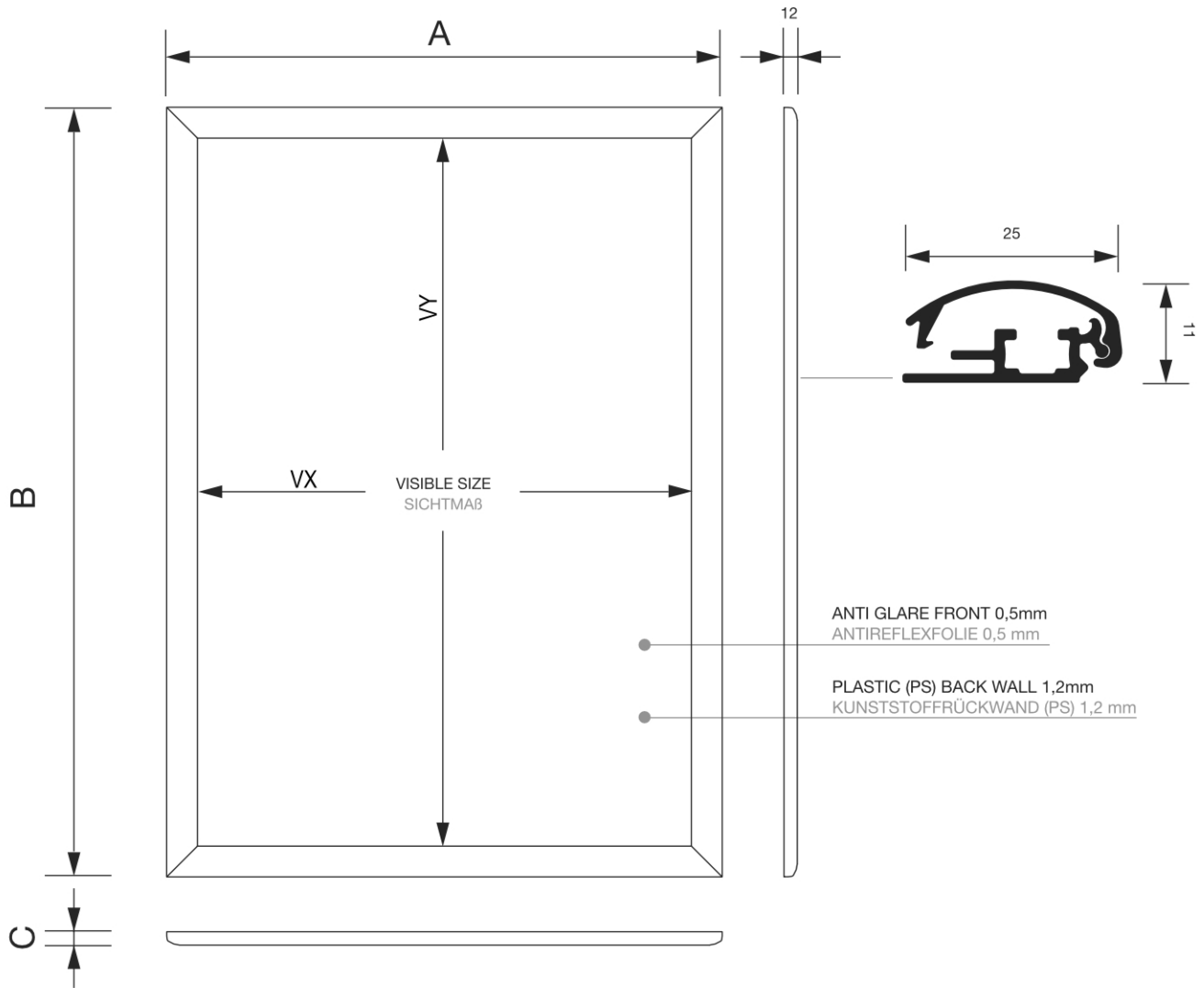


- Snap frame A4 silver anodised profile
- 25 mm standard frame with mitred corners
- B1 certificate thanks to fire resistant metal backwall and poster protection foil

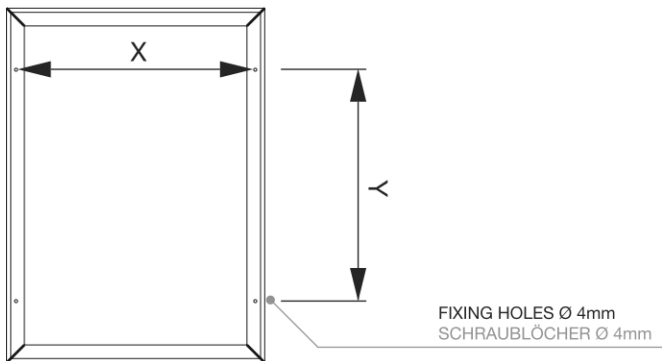
PRODUCT SHEET

Snap Frame Standard A4 Mitred Corners 25 mm B1 Fire Rated

KRA4G25B1



BACK VIEW RÜCKANSICHT



ACCESSORIES ZUBEHÖR



(SOSSET)
SET OF SCREWS
SCHRAUBENSET

(KRHOOK)
HANGING HOOKS
HAKEN ZUM ABHÄNGEN



(HSKR)
HANGING SET
HÄNGESET

PRODUCT SHEET

Snap Frame Standard A4 Mitred Corners 25 mm B1 Fire Rated

KRA4G25B1

GENERAL INFO

SKU	Sizes (mm) (A x B x C)	Format (mm)	Visible size (mm) (VXxVY)	Hole spacing (mm) (XxY)
KRA4G25B1	241 x 328 x 11	A4 (210 x 297 mm)	191 x 278 mm	221 x 119 mm

Orientation	Weight (kg)
Vertical	0,68

PACKAGING INFORMATION

Packaging unit 1 (mm)	Packaging unit 2 (mm)	Packaging unit 3 (mm)
337 x 250 x 20	-	-

Palette number of pieces	Palette weight (kg)	Palette type
315	298	EUR

ADDITIONAL INFORMATION

Product certifications	EAN
DIN4102B1	8595578357417

SIZE GUIDE

Snap Frame Standard A4 Mitred Corners 25 mm B1 Fire Rated

KRA4G25B1

